

967



550

150

220

320

70

371

425

443

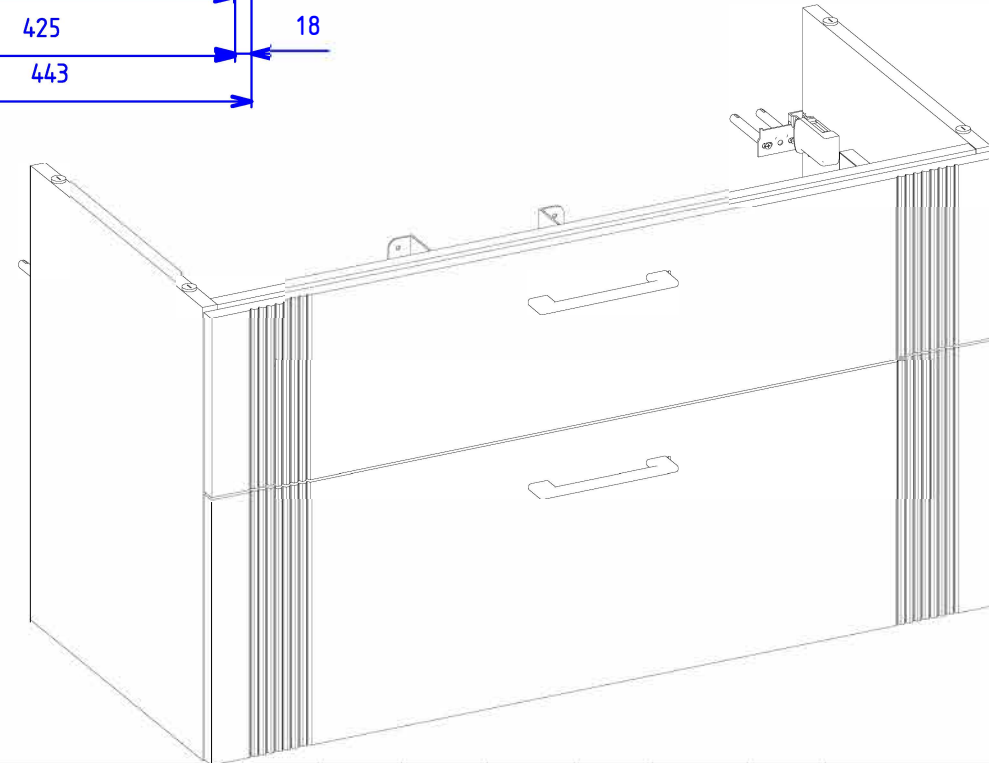
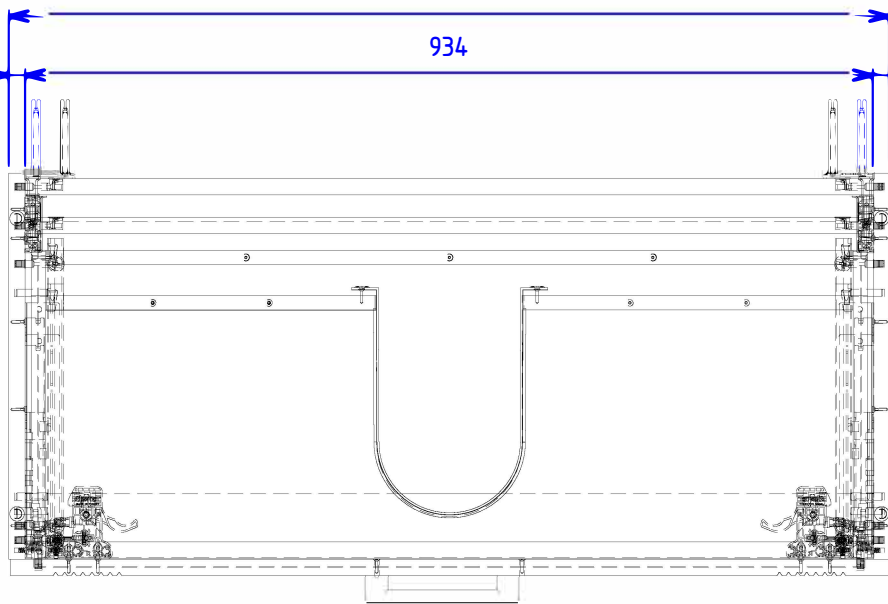
18

18

970

934

18



**Eastbrook** 

±0.3 mm	±0.2	±0.3	±0.5	±0.8	±1
0.5-6 mm	6-30	30-120	120-400	400-1000	1000-veh